

# HAYES

REPAIRS | SALES | TRAINING

## Simple Maintenance Procedures Extend the Life of Your Handpieces

### HAYES OneStep™ Handpiece Lubricant

- Longer turbine life!
- Aerosol, dropper bottle, Adec Assistina bottle



- Nozzle adapters to fit any high-speed!

### Tidy Whities™



#### Original Handpiece & Instrument Wipes

- Cleans & shines
- Convenient
- Non-corrosive

### Handpieces Clogging Up?



### Treat Your Waterlines!

#### DentaPure®, Sterisil® & Mint-A-Kleen®

- Remove microbial contamination from waterlines and bottles
- Protect staff, patients, and handpieces!
- Talk to Hayes about which waterline cleaning option is best for you

### Need Staff Training?

- 1 FREE CE credit per course!

Ask us about maintenance for **STERILIZERS & INSTRUMENTS!**

#### Between-Patient Maintenance for

### HIGH-SPEED HANDPIECES

## 1 Clean and lubricate

Scrub and rinse handpieces with mild soap and water or wipe with Tidy Whities™ original handpiece & instrument wipes before lubricating. (Do not wipe down with cleaning/disinfecting wipes or other harsh chemicals.)



#### AEROSOL INSTRUCTIONS:

- Remove bur
- Select the appropriate nozzle and insert into swivel back-end or back of 4/5-hole handpiece. Selecting the proper nozzle will ensure a tight seal to propel lubricant throughout the handpiece.
- Spray one second when using Hayes OneStep aerosol. (Refer to manufacturer instructions for J. Morita high-speeds)
- Clean chuck weekly with lube and proxy brush



## 2 Run the handpiece on a flush station

Run for 20 seconds. Handpieces requiring a bur tool must be run with the bur installed. If flush station is not installed, run handpiece chairside. Wipe handpiece exterior with paper towel.



We sell the DCI Flush Station! Call Hayes for more information.

## 3 Bag and sterilize

Always let the handpieces go through the complete drying cycle (*never use dry heat*). Handpieces are ready to use and **DO NOT NEED TO BE RELUBRICATED**. Never sterilize with a bur installed.

#### Between-Patient/Weekly Maintenance for

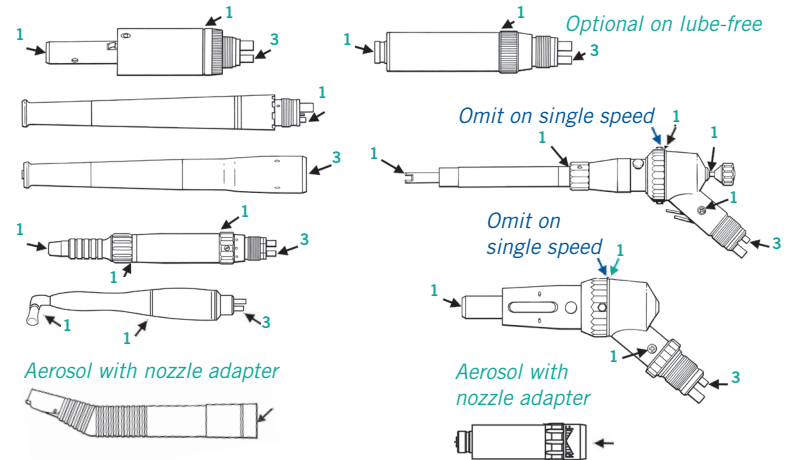
### LOW-SPEEDS, ATTACHMENTS & SCALERS

## 1 Clean and lubricate

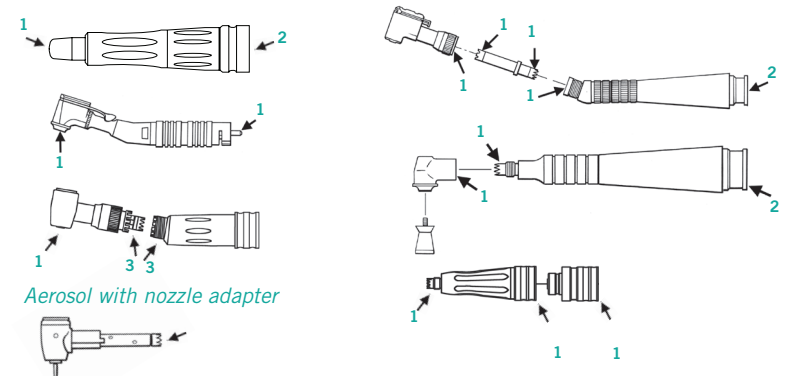
When applying the lubricant into a 4/5-hole handpiece with dropper bottle, use the drive air tube only. Place 1-3 drops from the dropper bottle at all points as indicated below. For motors, perform weekly, as needed, or as specified by the manufacturer. For attachments and heads, perform between patients. Clean threads monthly with 2x2 and alcohol or Tidy Whities wipes.



#### LOW-SPEED MOTORS & AIR SCALERS



#### LOW-SPEED ATTACHMENTS & HEADS



#### ELECTRIC, ENDO & IMPLANT HANDPIECES

Lubricating and flushing electric handpieces between patients is crucial. However, never lubricate an electric motor. Please consult your Hayes office for detailed instructions.

## 2 Run the handpiece

Run for 20 seconds. Wipe handpiece exterior with paper towel.

## 3 Bag and sterilize

Always let the handpieces go through the complete drying cycle (*never use dry heat*). Handpieces are ready to use and **DO NOT NEED TO BE RELUBRICATED**. Never sterilize with a bur installed.

# HAYES

REPAIRS | SALES | TRAINING

[www.hayeshandpiece.com](http://www.hayeshandpiece.com)

Call us to purchase maintenance products or to schedule staff training!